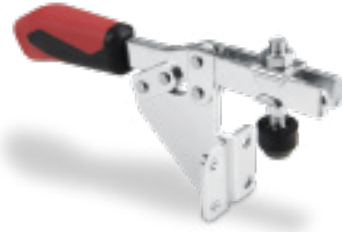
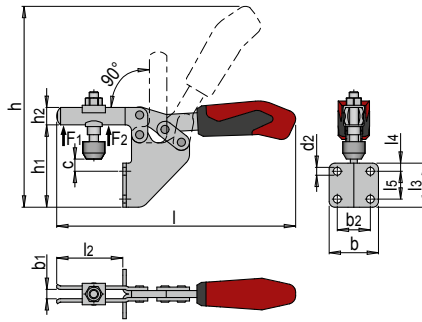


PRODUCT DESCRIPTION

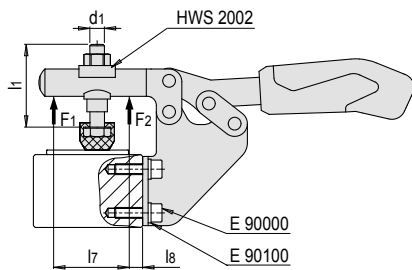
- » Types 2 to 4 with hardened bushings
- » Ergonomic handle made of two components
- » Tempered and galvanised clamping screw with protective cap

MATERIAL

- » Steel, galvanised and passivated



c min.	c max.	b	h	l	b1	h1	b2	d2	h2	l2	l3	l4	l5	Type	No.	EUR
14	20	31	117	120	5	57	19	5.2	10	32	28	8	13.5	1	HWS 202/ 1	<>
22	29,5	37	162	162	6.2	73	25.5	5.6	13.2	52	32	6	20	2	HWS 202/ 2	<>
5	16	42.5	173	206	8	70	28.5	6.8	15	59	38	7	24	3	HWS 202/ 3	<>
11	40	52	253	282	10	102	32	8.5	20	93	82	40	32	4	HWS 202/ 4	<>



Type	F1	F2	l7	l8	d1	l1
1	0.8 kN	1.1 kN	18.5	4	M 5	30
2	1.0 kN	1.2 kN	32	10.5	M 6	35
3	1.8 kN	2.5 kN	37	6.5	M 8	45
4	2.0 kN	3.0 kN	63	15	M 8	65