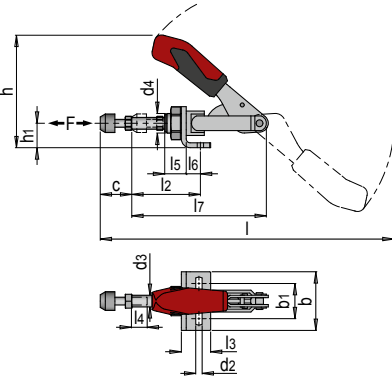


**PRODUCT DESCRIPTION**

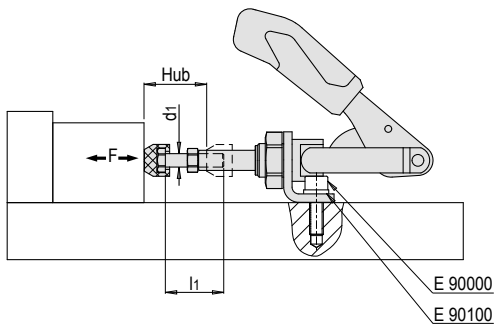
- » For push and pull clamping
- » Type 2 and 3 with hardened bushings
- » Lever parts and rod made of tempered steel
- » Ergonomic handle made of two components

**MATERIAL**

- » Steel, galvanised and passivated



c min.	c max.	b	h	l	b1	h1	d2	l2 min.	l2 max.	d3	l3	d4	l4	l5	l6	l7	Type	No.	EUR	
12	20	30	61	165	16	- 19,5	15	4.5	25	44	8	20	M12 x 1,5	20	16	7	91	1	HWS 254/ 1	<>
17	25	50	86	218	31,8 - 36	20	5.6	33	58	10	34	M16 x 1,5	20	19	12.5	114	2	HWS 254/ 2	<>	
22	35	60	108	270	29,5 - 42,5	25	6.5	37	69	12	30	M20 x 1,5	30	22	13	140	3	HWS 254/ 3	<>	



Type	F	d1	l1	Stroke
1	1.0 kN	M 4	20	20
2	2.0 kN	M 6	25	26
3	2.5 kN	M 8	35	32