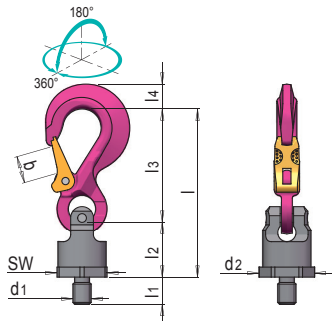



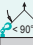




### PRODUCT DESCRIPTION

- » Loadable in any direction
- » Safety factor 4:1
- » Double ball bearing for smooth tilting and turning
- » Can be turned in a 90° position from the bolt centre line, even under full load
- » All load-bearing parts are 100% crack tested and proof load tested according to EN 1677



SW	b	d2	l	l1	l2	l3	l4	d1	 max. kg	 max. kg	 max. kg	 max. kg	No.	EUR
36	18	40	116	18	41	75	13	M12	630	630	1,260	880	E 1276/12	<>
41	25	46	147	25	50	97	20	M16	1,500	1,500	3,000	2,100	E 1276/16	<>
55	30	61	187	30	61	126	28	M20	2,500	2,500	5,000	3,500	E 1276/20	<>
70	35	78	227	36	77	150	36	M24	4,000	4,000	8,000	5,600	E 1276/24	<>
85	40	95	267	45	93	174	37	M30	6,700	5,000	10,000	7,000	E 1276/30	<>
90	48	100	310	54	102	208	49	M36	10,000	8,000	16,000	11,200	E 1276/36	<>