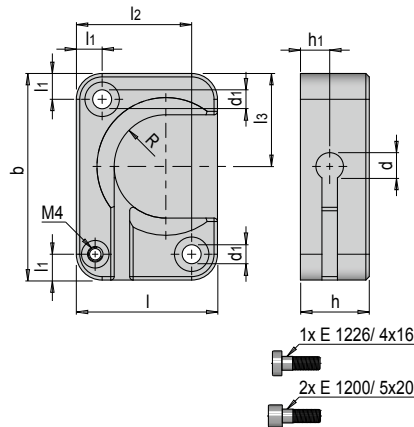


### PRODUCT DESCRIPTION

- » Ideal for monitoring the closing force of injection moulding machines
- » Innovative design protects the dial indicator against damages
- » High-quality neodymium magnet allows for installation without screws

### MATERIAL

- » Natural anodised aluminium



d	d1	h	h1	l	l1	l2	l3	R	t max. MA <sup>1)</sup>	b	No.	EUR
8	5.5	20	8.5	41	7.5	33.5	27	15	80	60	MAU 5004/60	<>

1) t max. MA: maximum temperature resistance of the magnets [°C]