

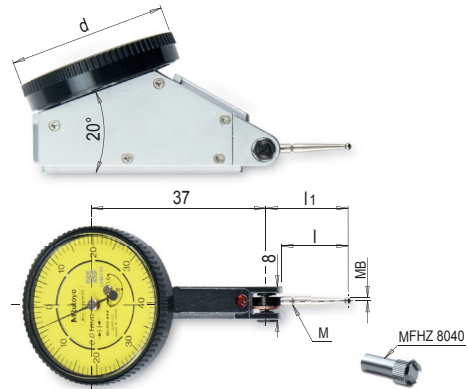


PRODUCT DESCRIPTION

- » For the adjustment or inspection of workpieces
- » Optimal fixing through dovetail guide
- » Gears with jewelled bearings
- » Rotatable bezel

INCLUDED IN THE DELIVERY

- » MFHZ 8040 Clamping shank and a plastic case



d	Wt.	M	F _n	SK ¹⁾	l	MB ²⁾	l1	No.	EUR
40	48 g	M1,7x0,35	<=0,3 N	0-40-0	17.4	1,6	20.9	MFH 14202/1,6/20,9	< >

1) SK: dial

2) MB: measuring range

i Pre-calibrated on request