

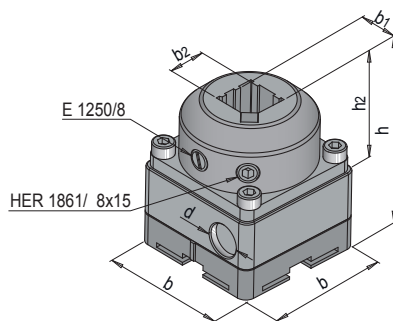


PRODUKTBESCHREIBUNG

» Original-Referenzelemente

MATERIAL

» 1.2083, gehärtet



| b | d | h | h2 | b1 | b2 | Nr. | EUR |
|----|----|------|----|----|----|-------------|-----|
| 54 | 13 | 61,5 | 29 | 15 | 15 | HER 1212/15 | <> |
| 54 | 13 | 67,5 | 35 | 25 | 25 | HER 1212/25 | <> |