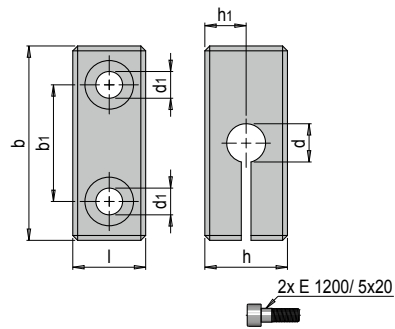


PRODUCT DESCRIPTION

- » Ideal for monitoring the closing force of injection moulding machines
- » Compact design for mounting on or in the mould halves

MATERIAL

- » Natural anodised aluminium



b1	d	d1	h	h1	l	b	No.	EUR
24	8	5.5	17	8.5	15	40	MAU 5002/40	< >