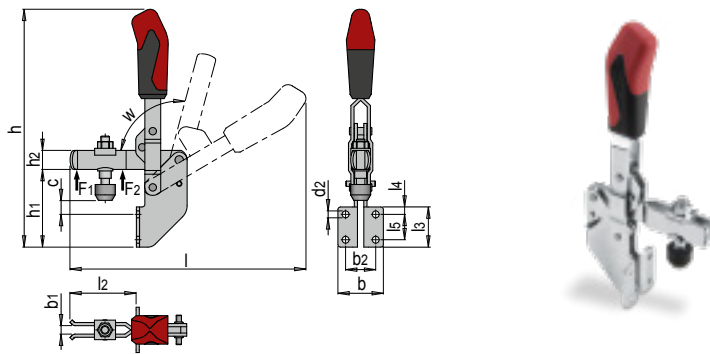


PRODUCT DESCRIPTION

- » Types 2 to 4 with hardened bushings
- » Ergonomic handle made of two components
- » Tempered and galvanised clamping screw with protective cap

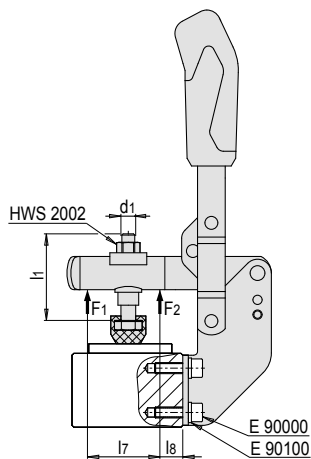
MATERIAL

- » Steel, galvanised and passivated



w	w ¹⁾	c min.	c max.	b	h	l	b1	h1	b2	d2	h2	l2	l3	l4	l5	Type	No.	EUR
98°	-	2,5	9	30	125	119	5	45	20	4.5	10	34.5	30	10	14	1	HWS 206/ 1	<>
105°	60°	7,5	15,5	37	167	158	6	60	25.5	6.1	12	41	32	6	20	2	HWS 206/ 2	<>
105°	60°	9	17,5	42.5	223	223	8	71	28.5	6.5	18	63	38	7	24	3	HWS 206/ 3	<>
105°	60°	11	40	52	280	270	10	102	32	8.5	20	84	96	54	32	4	HWS 206/ 4	<>

1) w: The opening angle can be changed by pressing in a stop pin.



Type	F1	F2	l7	l8	d1	l1
1	0.8 kN	1.1 kN	18	7	M 5	30
2	1.0 kN	1.2 kN	25	6	M 6	35
3	1.4 kN	2.5 kN	37	11	M 8	45
4	2.0 kN	3.0 kN	54	11	M 8	65