

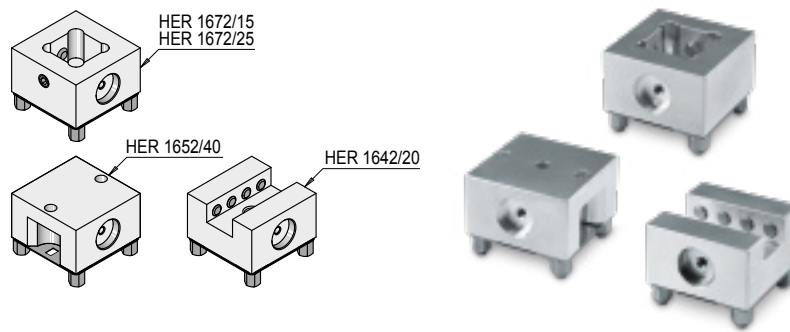


**PRODUCT DESCRIPTION**

- » Compatible with ITS-50
- » Prepared for chip encoding
- » Including set screws
- » Includes fastening screws

**MATERIAL**

- » 3.3547



Content	Pcs.	No.	EUR
HER 1642/20	3	HER 1692/Set-12	< >
HER 1652/40	3		
HER 1672/15	3		
HER 1672/25	3		