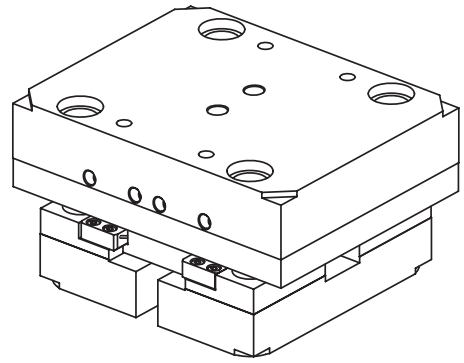


Schließplatte offen (FB 54)



Schließplatte geschlossen (FB 56)

B	L	S1	download			B	L	S1	download		
156	156	20	<a href="#">.x_t</a>	<a href="#">.stp</a>	<a href="#">.igs</a>	156	156	20	<a href="#">.x_t</a>	<a href="#">.stp</a>	<a href="#">.igs</a>
		25	<a href="#">.x_t</a>	<a href="#">.stp</a>	<a href="#">.igs</a>			25	<a href="#">.x_t</a>	<a href="#">.stp</a>	<a href="#">.igs</a>
		32	<a href="#">.x_t</a>	<a href="#">.stp</a>	<a href="#">.igs</a>			32	<a href="#">.x_t</a>	<a href="#">.stp</a>	<a href="#">.igs</a>
		40	<a href="#">.x_t</a>	<a href="#">.stp</a>	<a href="#">.igs</a>			40	<a href="#">.x_t</a>	<a href="#">.stp</a>	<a href="#">.igs</a>
196	196	25	<a href="#">.x_t</a>	<a href="#">.stp</a>	<a href="#">.igs</a>	196	196	25	<a href="#">.x_t</a>	<a href="#">.stp</a>	<a href="#">.igs</a>
		32	<a href="#">.x_t</a>	<a href="#">.stp</a>	<a href="#">.igs</a>			32	<a href="#">.x_t</a>	<a href="#">.stp</a>	<a href="#">.igs</a>
		40	<a href="#">.x_t</a>	<a href="#">.stp</a>	<a href="#">.igs</a>			40	<a href="#">.x_t</a>	<a href="#">.stp</a>	<a href="#">.igs</a>
		50	<a href="#">.x_t</a>	<a href="#">.stp</a>	<a href="#">.igs</a>			50	<a href="#">.x_t</a>	<a href="#">.stp</a>	<a href="#">.igs</a>
246	246	32	<a href="#">.x_t</a>	<a href="#">.stp</a>	<a href="#">.igs</a>	246	246	32	<a href="#">.x_t</a>	<a href="#">.stp</a>	<a href="#">.igs</a>
		40	<a href="#">.x_t</a>	<a href="#">.stp</a>	<a href="#">.igs</a>			40	<a href="#">.x_t</a>	<a href="#">.stp</a>	<a href="#">.igs</a>
		50	<a href="#">.x_t</a>	<a href="#">.stp</a>	<a href="#">.igs</a>			50	<a href="#">.x_t</a>	<a href="#">.stp</a>	<a href="#">.igs</a>
		60	<a href="#">.x_t</a>	<a href="#">.stp</a>	<a href="#">.igs</a>			60	<a href="#">.x_t</a>	<a href="#">.stp</a>	<a href="#">.igs</a>
296	296	40	<a href="#">.x_t</a>	<a href="#">.stp</a>	<a href="#">.igs</a>	296	296	40	<a href="#">.x_t</a>	<a href="#">.stp</a>	<a href="#">.igs</a>
		50	<a href="#">.x_t</a>	<a href="#">.stp</a>	<a href="#">.igs</a>			50	<a href="#">.x_t</a>	<a href="#">.stp</a>	<a href="#">.igs</a>
		60	<a href="#">.x_t</a>	<a href="#">.stp</a>	<a href="#">.igs</a>			60	<a href="#">.x_t</a>	<a href="#">.stp</a>	<a href="#">.igs</a>
		70	<a href="#">.x_t</a>	<a href="#">.stp</a>	<a href="#">.igs</a>			70	<a href="#">.x_t</a>	<a href="#">.stp</a>	<a href="#">.igs</a>
								90	<a href="#">.x_t</a>	<a href="#">.stp</a>	<a href="#">.igs</a>
346	346	40	<a href="#">.x_t</a>	<a href="#">.stp</a>	<a href="#">.igs</a>	346	346	40	<a href="#">.x_t</a>	<a href="#">.stp</a>	<a href="#">.igs</a>
		50	<a href="#">.x_t</a>	<a href="#">.stp</a>	<a href="#">.igs</a>			50	<a href="#">.x_t</a>	<a href="#">.stp</a>	<a href="#">.igs</a>
		60	<a href="#">.x_t</a>	<a href="#">.stp</a>	<a href="#">.igs</a>			60	<a href="#">.x_t</a>	<a href="#">.stp</a>	<a href="#">.igs</a>
		70	<a href="#">.x_t</a>	<a href="#">.stp</a>	<a href="#">.igs</a>			70	<a href="#">.x_t</a>	<a href="#">.stp</a>	<a href="#">.igs</a>
								90	<a href="#">.x_t</a>	<a href="#">.stp</a>	<a href="#">.igs</a>