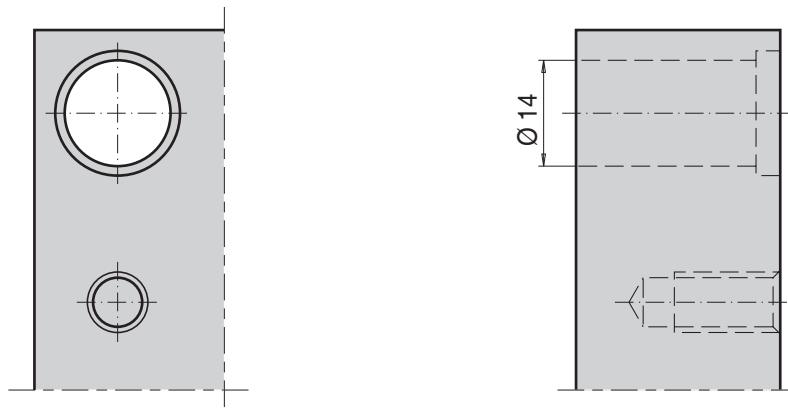
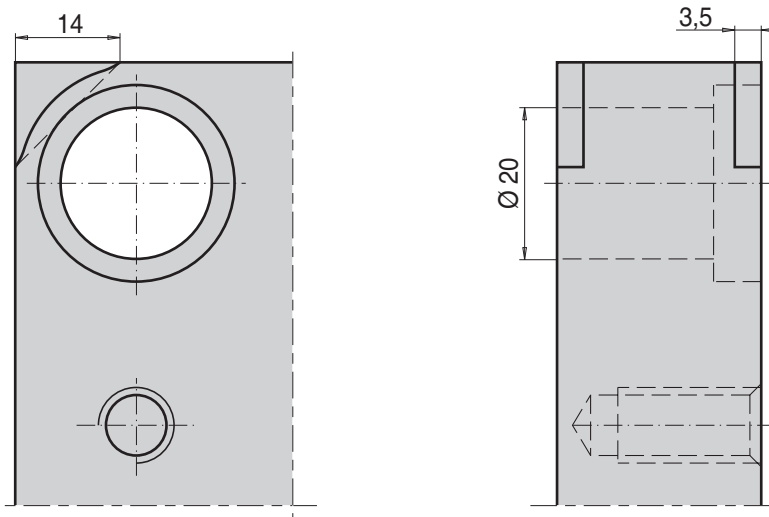


| desc. | representation | remark | | |
|--------------|----------------|--------|---|---|
| | | Ø 14 | Ø 20, 26 | Ø 30, 42, 54 |
| F 50 F050 | | - | 2x at tool parting line 2x at reverse side diagonal | 2x at tool parting line diagonal 4x at reverse side |
| | | - | also with special thickness | also with special thickness |
| F 53 | | - | 2x at tool parting line 2x at reverse side diagonal | 2x at tool parting line diagonal 4x at reverse side |
| | | - | also with special thickness, special pocket | also with special thickness, special pocket |
| F 55 F055 | | - | 2x at reverse side diagonal | 4x at reverse side |
| | | - | also with special thickness | also with special thickness |

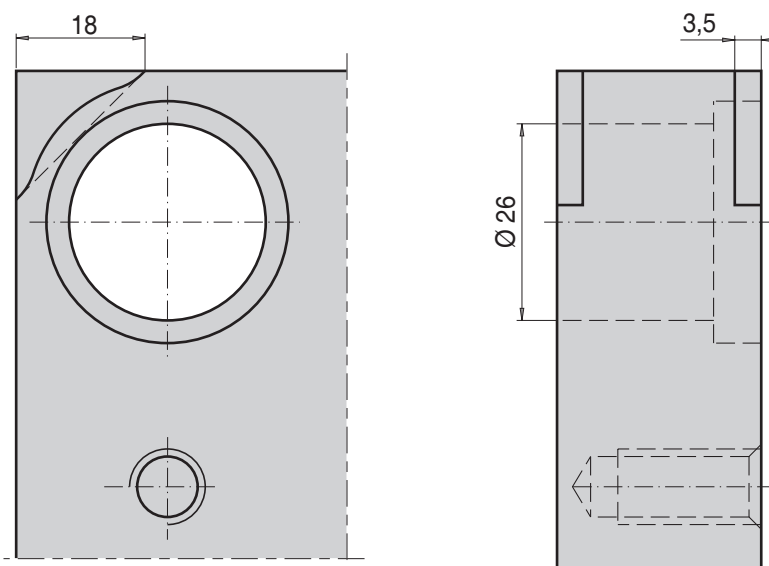
Ø 14 / M 8



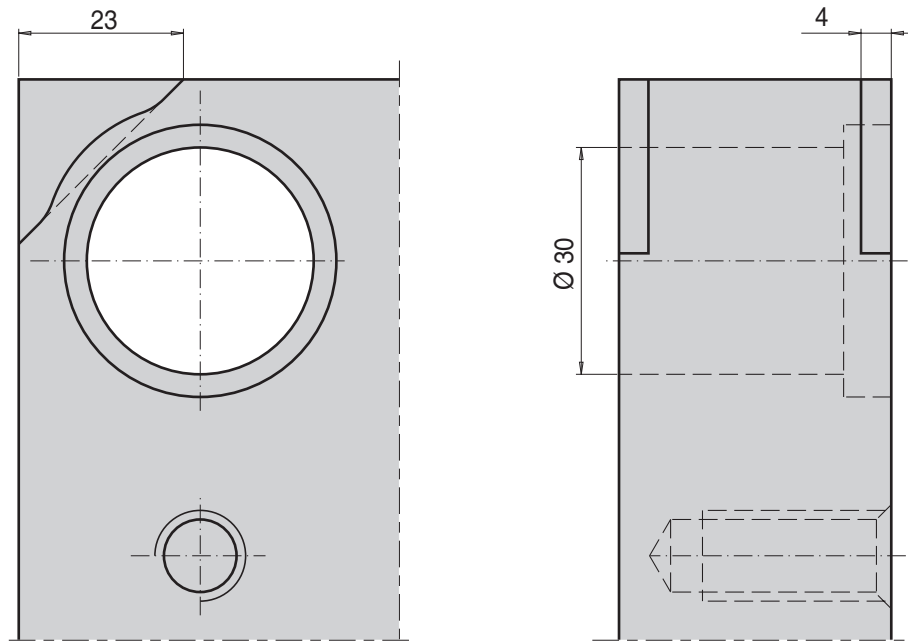
Ø 20 / M 10



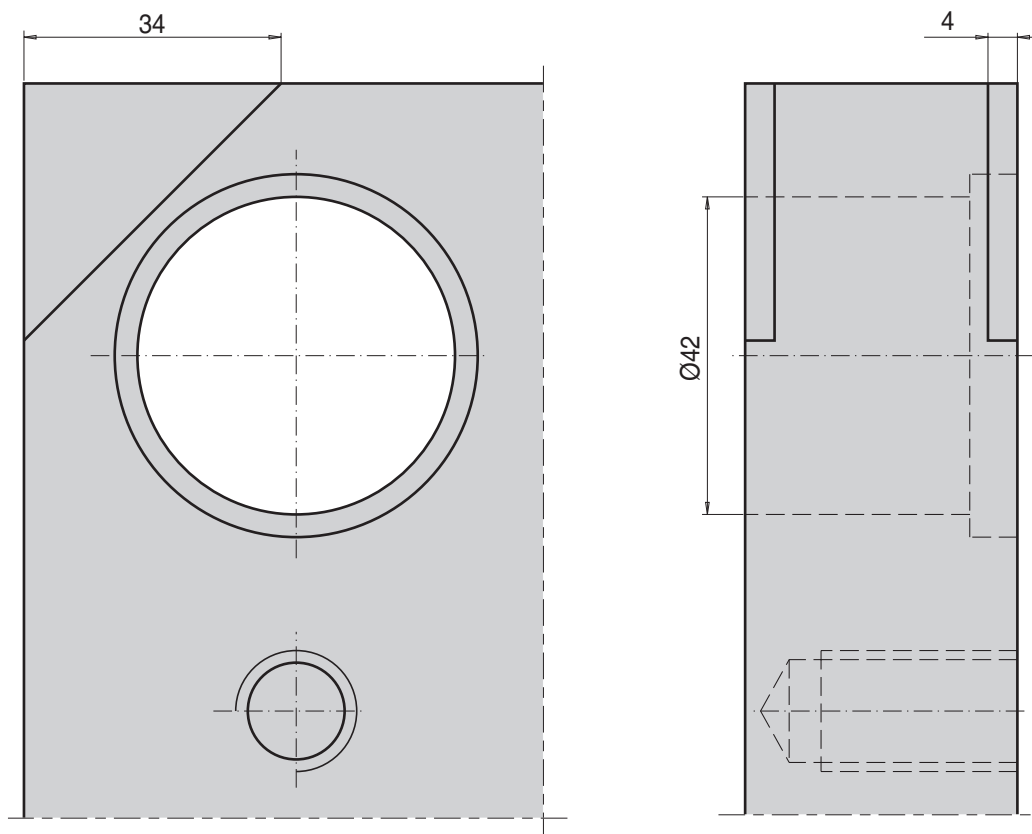
Ø 26 / M 10



Ø 30 / M 12



Ø 42 / M 16



Ø 54 / M 20

